



ORION TELECOM NETWORKS INC.

**16xE1 Monitoring Patch Panel (120 Ohms)
16xT1 Monitoring Patch Panel (100 Ohms)**

Product Brochure

Headquarters: Phoenix, Arizona

Orion Telecom Networks Inc.

20100, N 51st Ave, Suite B240,
Glendale AZ 85308
Phone: +1 480-816-8672
Fax: +1 480-816-0115
E-mail: sales@oriontelecom.com
Website: <http://www.oriontelecom.com>

Regional Office: Miami, Florida

Orion Telecom Networks Inc.

4000 Ponce de Leon Blvd. Suite 470,
Coral Gables, FL 33146 U.S.A.
Phone: 1-305-777-0419,
Fax: 1-305-777-0201
E-mail: sales@oriontelecom.com
Website: <http://www.oriontelecom.com>

Description

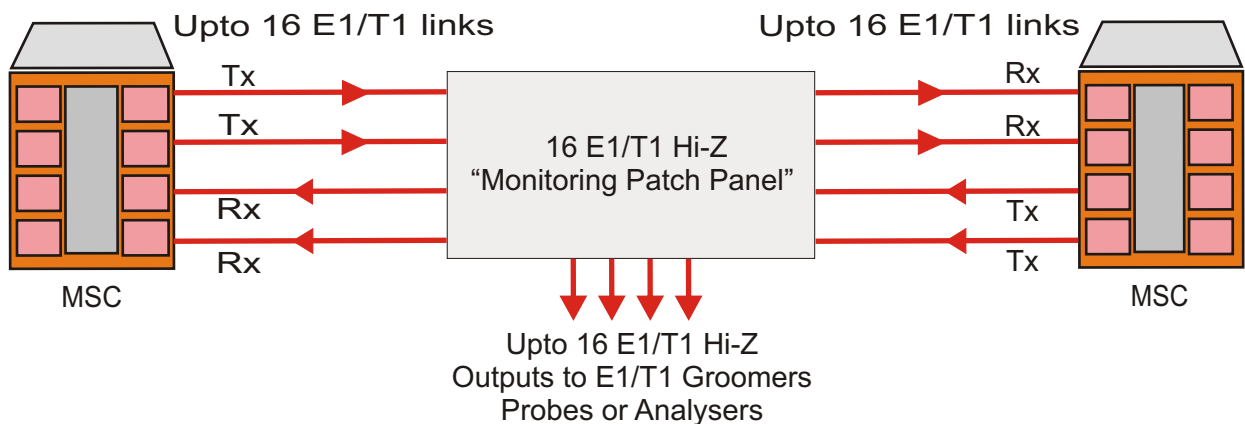
The E1/T1 16 Port Monitoring Patch Panel is primarily designed for applications where E1/T1 circuits are required to be “tapped” for non-intrusive monitoring applications. The E1/T1 Monitoring Patch Panel is simultaneously provides up to 16 high-impedance (Hi-Z) outputs on it's monitoring (MON) port(s) from which, both the transmit (Tx) and the receive (Rx) signals of the patched E1/T1 link can be “tapped non-intrusively” (i.e without disturbing or loading the active E1/T1 link(s) in any manner, and connected to E1/T1 Groomers, Probes or Analysers.

DIP Switch settings

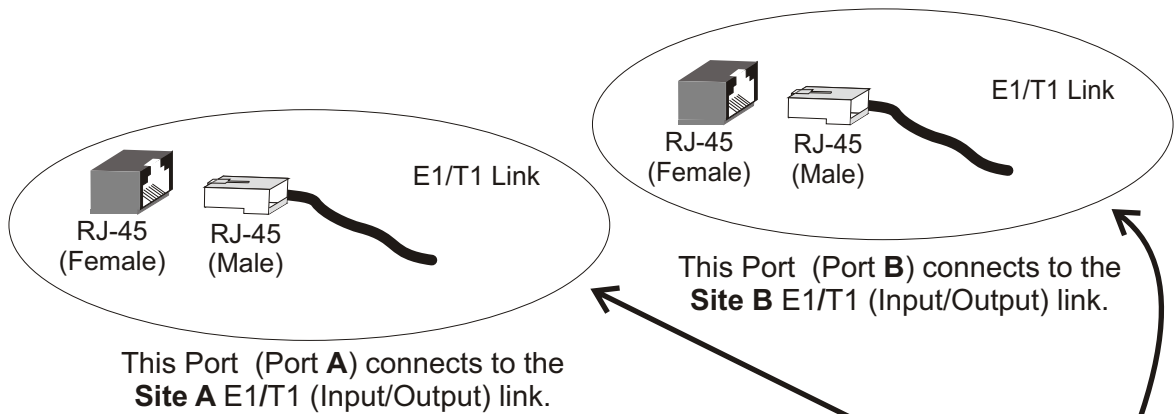


All four DIP switches must be set to **OFF** position for non-intrusive monitoring applications.

Typical Application Diagram

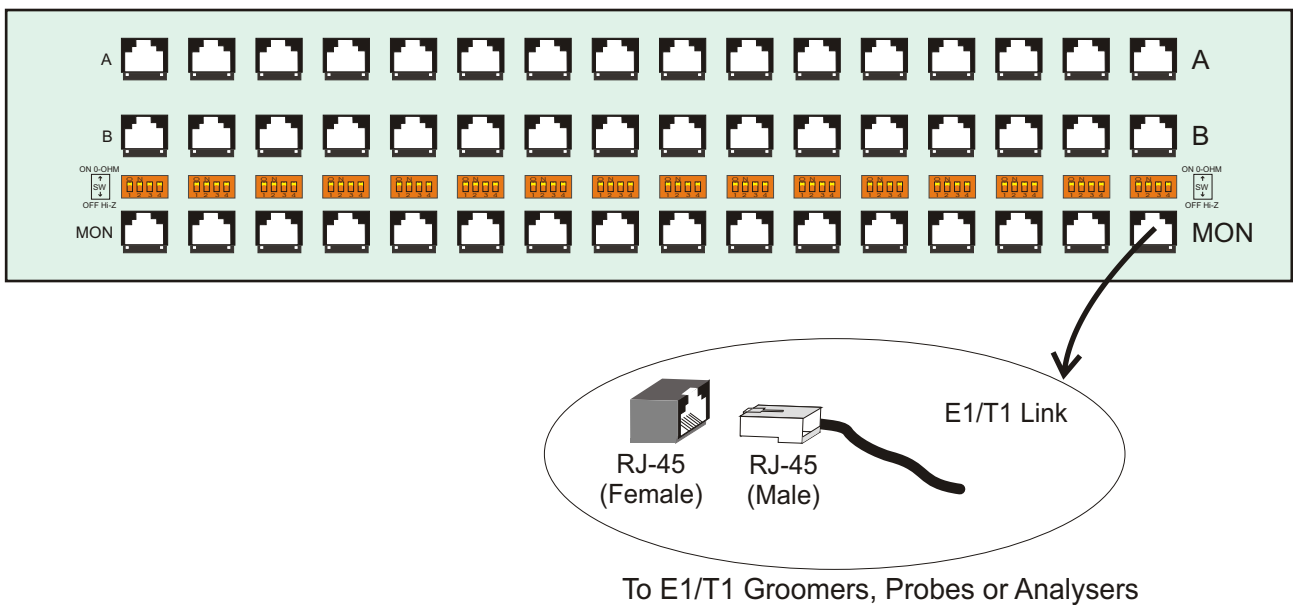


Connecting E1/T1 Main Link



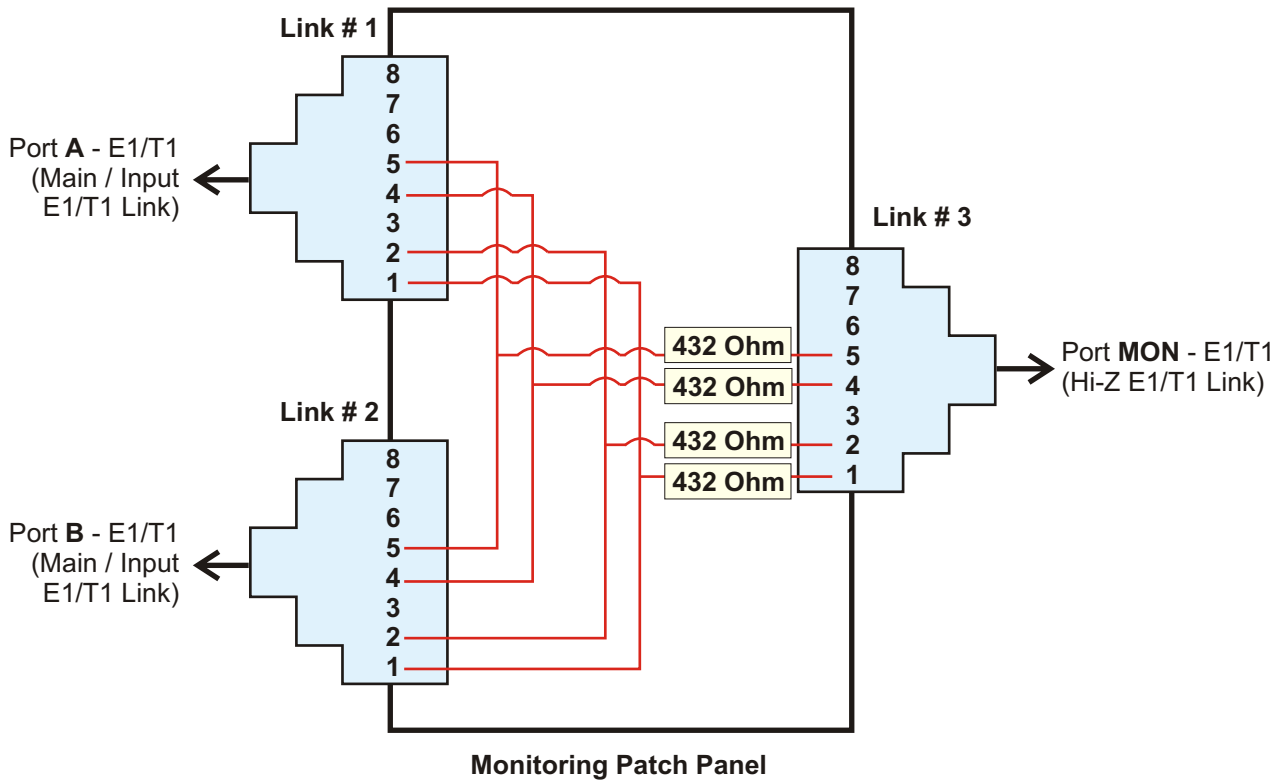
The RJ-45 Connectors Row **A** and Row **B** are used for Data IN/Data OUT from/to the **Site A** and **Site B** E1/T1 link.

Connecting Hi-Z Output



The RJ-45 Connectors Row **MON** are used for Hi-Z Data OUT from the E1/T1 link connected on Row **A** and Row **B** to E1/T1 Groomers, Probes or Analysers.

16 x E1/T1 Monitoring Patch Panel - Circuit Schematic



The Hi-Z (432 Ohm) resistive output is provided on the Monitoring (MON) Port of the Patch Panel for connecting to the Groomer / Probe / Analyser.

RJ-45 for E1/T1 Port

RJ-45 (Female) Pin #	Signal in RJ-45 (Female)
1	Data In / Data Out
2	Data In / Data Out
4	Data Out / Data In
5	Data Out / Data In

Mechanical Specification

Rack Mounting	Standard 19 Inch. DIN Rack
Height	90 mm.
Depth	45 mm.
Width	485 mm. (with mounting brackets)
Weight	1.4 kg.

Ordering Information

S. No.	Part #	Product Description
1	VCL-1240-MON-120-100-RJ45F-16	16 x E1/T1, 120/100 Ohms RJ45 (F) High Impedance (HiZ) Monitoring Patch Panel 19" Shelf 2U High Mount Version with Hardware Set [RJ45 cables not included]

Technical specifications are subject to changes without notice.
All brand names and trademarks are the property of their respective owners.
Revision 07 - August 13, 2012

Headquarters: Phoenix, Arizona

Orion Telecom Networks Inc.

20100, N 51st Ave, Suite B240,
Glendale AZ 85308
Phone: +1 480-816-8672
Fax: +1 480-816-0115
E-mail: sales@oriontelecom.com
Website: <http://www.oriontelecom.com>

Regional Office: Miami, Florida

Orion Telecom Networks Inc.

4000 Ponce de Leon Blvd. Suite 470,
Coral Gables, FL 33146 U.S.A.
Phone: 1-305-777-0419,
Fax: 1-305-777-0201
E-mail: sales@oriontelecom.com
Website: <http://www.oriontelecom.com>