



ORION TELECOM NETWORKS INC.

VCL-ETH-E1 Ethernet over E1 Converter

Data Sheet & User Manual

Headquarters: Phoenix, Arizona

Orion Telecom Networks Inc.

20100, N 51st Ave, Suite B240,
Glendale AZ 85308
Phone: +1 480-816-8672
Fax: +1 480-816-0115
E-mail: sales@oriontelecom.com
Website: <http://www.oriontelecom.com>

Regional Office: Miami, Florida

Orion Telecom Networks Inc.

4000 Ponce de Leon Blvd. Suite 470,
Coral Gables, FL 33146 U.S.A.
Phone: 1-305-777-0419,
Fax: 1-305-777-0201
E-mail: sales@oriontelecom.com
Website: <http://www.oriontelecom.com>

Warranty

This Orion product is warranted against defects in material and workmanship for a period of one year from the date of shipment. During the warranty period, Orion will, at its discretion, either repair or replace products, which prove to be defective. For warranty service or repair, this product must be returned to a service facility designated by Orion. The buyer shall prepay shipping charges to Orion and the company shall pay shipping charges to return the product to the buyer. However, the buyer shall pay all the shipping charges, duties and taxes for products returned to Orion from another country.

Limitation of Warranty

The foregoing warranty shall not apply to defects resulting from improper or inadequate maintenance by the buyer, the buyer-supplied firmware or interfacing, unauthorized modification or misuse, operation outside of the environmental specifications for the product or improper site preparation or maintenance.

Exclusive Remedies

The remedies provided herein are the buyer's sole and exclusive remedies. Orion shall not be liable for any direct, indirect, special, incidental or consequential damages, whether based on contract or any legal theory.

Notice

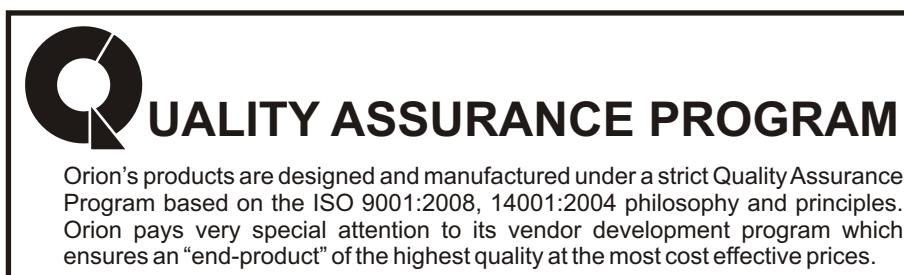
This manual contains information that is proprietary to Orion Telecom Networks Inc. No part of this publication may be reproduced in any form whatsoever without prior written approval by Orion Telecom Networks Inc.

Safety Warnings



The exclamation point within a triangle is intended to warn the operator or service personnel of operation and maintenance factors relating to the product and its operating environment, which could pose a safety hazard.

Always observe standard safety precautions during installation, operation and maintenance of this product. Only qualified and authorized service personnel should carry out adjustment, maintenance or repairs to this instrument. No adjustment, maintenance or repairs should be performed by either the operator or the user.



INDEX

S. No.	Particulars	P. No.
I	Product Overview	4
II	Typical Application	4
III	Point to Multi-Point Application with VCL-ETH-8/16-ML	5
IV	Technical Feature	6
	Alarms and Indicator Monitoring	6
	E1 Interface Specifications	6
	Ethernet Port specifications	7
	Clock	7
	Encapsulation	7
V	Installation, Open up and Commissioning	8
	1. Qualifying the network	8
	2. Grounding	8
	3. Installation	8
VI	Function Description	9
	1. Front panel	9
	2. Back View with 220V AC power Input	10
	3. Back View with 48V DC power Input	10
	4. E1 Bandwidth Selection	11
	5. E1 Pinout Details	12
VII	CLI Commands	13
VIII	General Parameters	16
	1. Power Supply	16
	2. Service conditions	16
	3. Dimensions	16
	4. Ordering Information	16
IX	Support	17



Product Overview

The VCL-ETH-E1 Interface Converter (Desktop Version) provides the user with Ethernet over E1 conversion enabling the user to transport Ethernet data over an E1 link.



VCL-ETH-E1

The equipment can be installed and used in pairs, with one terminal being installed at either end of the network. This equipment can also be used with VCL-ETH-8-ML and VCL-ETH-16-ML (8E1/16E1 ponit-to-point IP over TDM product) to meet various application requirements.

The VCL-ETH-E1 Interface Converter is an Ethernet extension device utilizing TDM telecom infrastructure (the telecom network of E1s, or of PDH, SDH and E1/E3/SDH microwave etc. carrying E1s). It converts the Ethernet data into E1 frame format for transmission over the existing TDM (E1) links and then re-converts the E1 back into Ethernet data the far-end terminal, to BRIDGE two Ethernet LANs over the existing E1-based telecom network. The device can effectively utilize the redundant bandwidth of telecom operators' existing TDM network to transport Ethernet data with low investment.

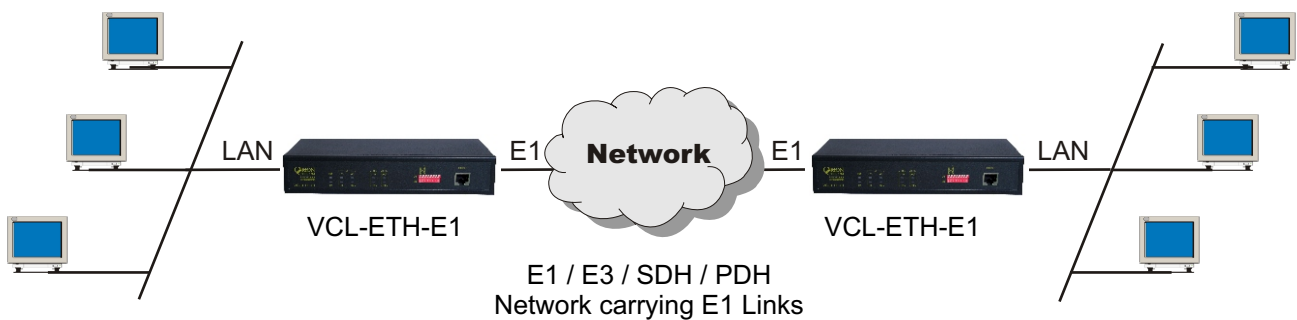
Application

The equipment may be used for the following purposes:

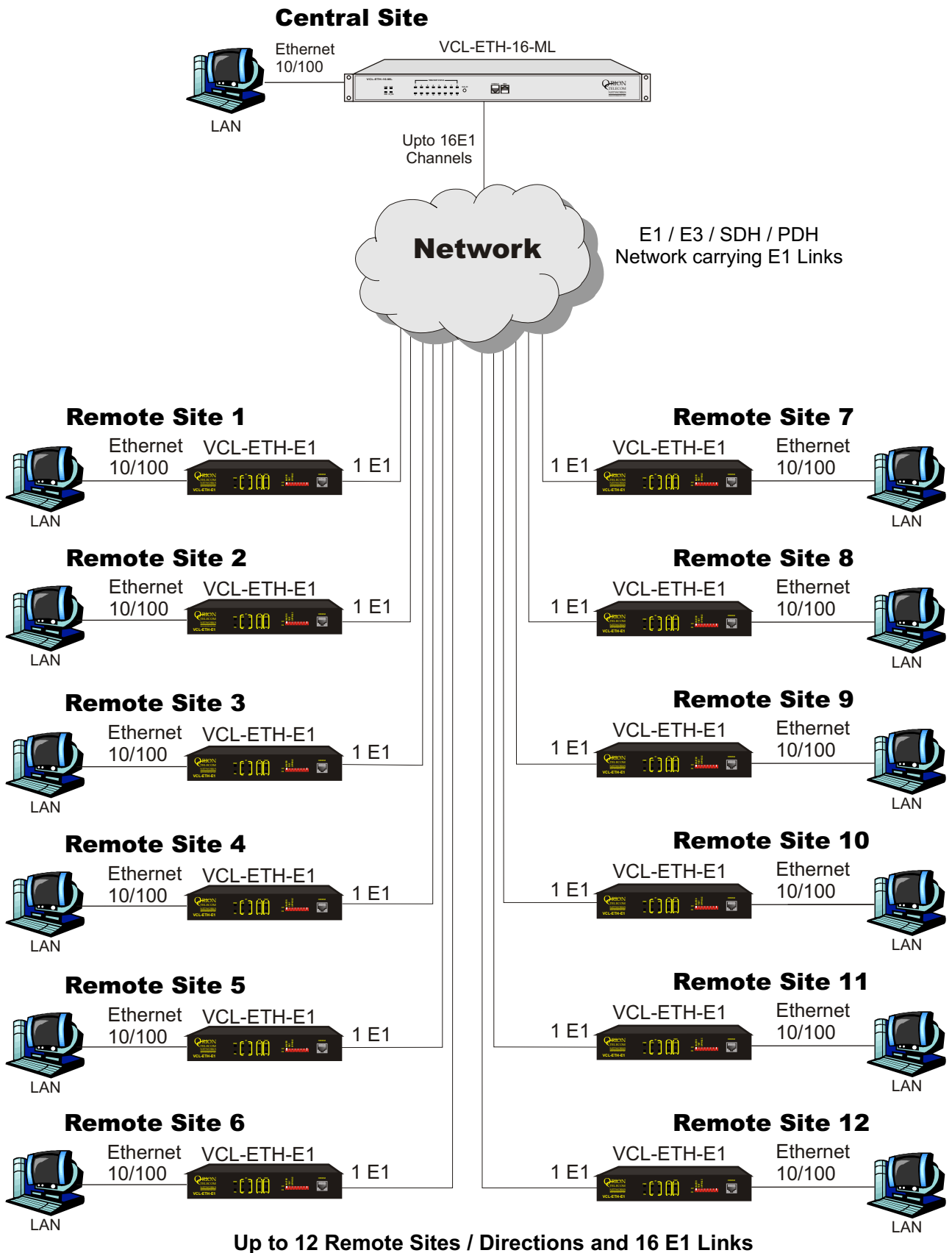
- Bridging Ethernet LANs over existing TDM (E1) telecom network.
- Extending Ethernet networks utilizing TDM (E1) landline based telecom infrastructure.
- Using telecom network of E1s/PDH/SDH microwave etc. carrying E1s to transport Ethernet data.

Typical Applications

Point to Point Application



Point to Multi-Point Application with VCL-ETH-8-ML or VCL-ETH-16-ML



Technical Features

- 1U high compact size
- Supports both fraction E1 (FE1) and full E1
- The maximum transmission rate of Ethernet data over E1 links is 2.048Mbit/s
- E1 supports three working modes unframed, framed (CCS/PCM 31) and multiple framed (CAS/PCM30)
- Allows transparent transmission of super-long frames upto 2024 bytes
- Automatic discards under size (less than 64 bytes) and oversize (more than 2024 bytes) framed
- Ethernet interface complies to IEEE 802.3
- Automatic Ethernet negotiation function. Supports 10M/100M and working modes of both full-duplex and half-duplex
- Automatic straight and cross-over cable support (Auto-MDI/X)
- Available with MAC address list filtration, learning, and updating functions
- PAUSE flow control ability in full duplex mode
- Equipment supports two working modes of internal clock and network Loop-timed clock
- With multiple loopback functions and built-in bit error testing function, it facilitates the trouble shooting
- Compatible to deluxe models (VCL-ETH-4/8/16 and VCL-ETH-8/16-ML) and can be installed with them to reduce the installation cost
- Easy to operate
- Power supply options:
 - › 110V AC - 240V AC (50/60 Hz) power options available
 - › -48V DC power option available
- Power consumption less than 4Watts.

Alarms and Indicator Monitoring

- Power Indicator
- Remote Alarm Indicator
- Loss of Frame Indicator
- E1 LOS Alarm Indicator
- AIS Alarm Indicator
- Code Violation Alarm Indicator
- Ethernet Link Indicator
- Ethernet Mode (FDX) Indicator
- Loopback Indicator
- Error in Test Indicator

E1 Interface Specifications

Line Rate	E1 (2.048 Mbps \pm 50 bps)
Framing	Un-Framed /PCM 30 /PCM 31
Electrical	As per ITU-T G.703 and ITU-T G.704
Jitter	As per ITU-T G.742 and ITU-T G.823
Impedance	120 Ohm (RJ-45)
Impedance	75 Ohm (BNC) Optional

Ethernet Port Specifications

Interface Types	10/100BaseT
Standards Compliance	IEEE 802.3
Connectors	RJ-45 (10/100 BaseT Electrical)
MDI-X	Supported (auto adapts cross-straight cable)
Mode	Autonegotiation (Half/Full - 10/100M)

Clock

Internal (Master) and network (Slave) clock.

Encapsulation

HDLC	HDLC mode is required in installation between two VCL-ETH-E1 (point to point protocol) if fractional E1 is used to carry payload
GFP	GFP Mode is must, to use the VCL-ETH-E1 in point to multi point Protocol with Deluxe models (VCL-ETH-4/8/16 and VCL-ETH-8/16-ML)

Installation and Commissioning

1 Qualifying the Network

- Please ensure that the error code rate each of the E1 circuits connecting to the equipment is lower than 10^{-7} .
- The transmission time delay difference between the various E1 circuits shall not exceed 8ms.
- The Ethernet wire type shall be, crossover when connecting with PC, and straight through when connecting to an Ethernet switch/HUB. The length of the ethernet cable shall not exceed 100m.

2 Grounding

- When the device is used with the AC~220V power supply, the 3-core socket must be grounded for protection.
- The other equipment connected with the converter shall also be grounded to earth for protection.

3 Installation

Step 1: Power up the equipment. Please ensure that equipment is powered-up prior to connecting the Ethernet and the E1 links.

Step 2: Connect E1 line on the premise that transmission device, interface converter and Ethernet converter have safely grounded.

BER test may be conducted on each E1 link using a BERT tester to ensure that the E1 errors are within the permitted limits / threshold.

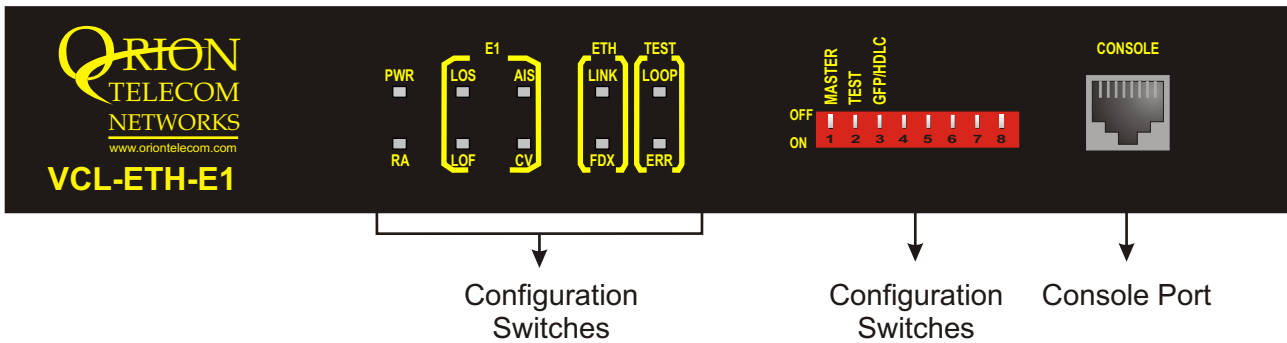
Step 3: Please configure the ethernet mode of the Ethernet over E1 equipment at both sides as well as the ethernet interfaces of the devices that are connected to the Ethernet over E1 equipment. Connect the ethernet links.

The equipment is used to bridge two LANs. Please ensure that the LANs on both sides of the link are operating in the same IP domain.

Step 4: Ping over the ethernet connection from one side to the other (near-end to the far-end) to verify that the Ethernet connection has been established between the two LANs.

After succeeding in "ping", the user may also check the integrity of each E1 link by connecting E1 link and then transporting ethernet data over that E1 link. In the event that the equipment resets repeatedly or lots of frame errors are noticed, recheck the connection between E1 cable and interface converter, or E1 cable and transmission device.

Description of the Front Panel

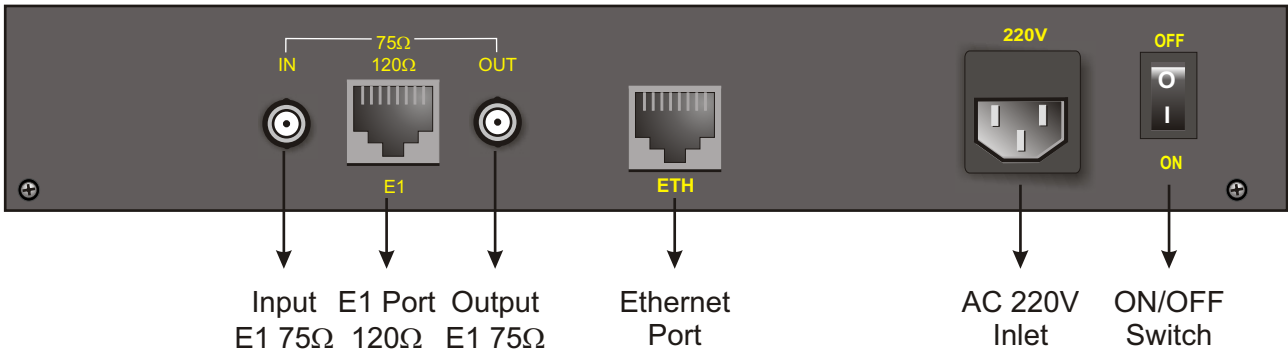


Definition of Indicators on Front Panel

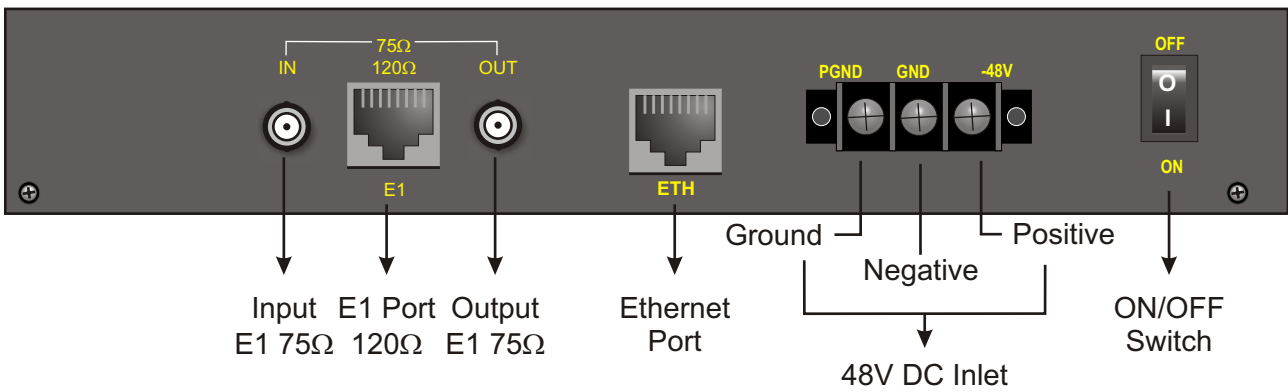
LED	Status	Description
PWR	ON	Green , system is powered
	OFF	System is not powered
RA	ON	Red , remote alarm indication
	OFF	OK
LOS	ON	Red , Loss of E1 alarm indication
	OFF	OK
LOF	ON	Red , Loss of E1 frame indication
	OFF	OK
AIS	ON	Red , AIS alarm indication
	OFF	OK
CV	ON	Red , E1 code violation alarm indication
	OFF	OK
LINK	ON	Green , LAN port connection Normal
	OFF	No LAN connection on Ethernet port
FDX	ON	Green , Ethernet port is running in full-duplex mode
	OFF	Ethernet port is running in half-duplex mode
LOOP	ON	Yellow , system is in test mode
	OFF	Normal operation mode
ERR	ON	Red , Error in BER test E1 Signal
	OFF	BER test OFF or has no errors

Switch	Status	Description
MASTER	ON	local timing
	OFF	tracing E1 line
TEST	ON	line error testing, Led "ERR" show the testing result
	OFF	turn off line error test function
GFP/HDLC	ON	HDLC framing
	OFF	GFP framing

Back View with 220V AC Power Input



Back View with 48V DC Power Input



Tag	Description
IN 75Ω	Represents the unbalanced E1 75Ω input (BNC)
OUT 75Ω	Represents the unbalanced E1 75Ω Output (BNC)
120Ω	Represents the balanced E1 120Ω input/output (RJ-45)
ETH	Fast Ethernet interface (RJ-45)
220V	Represents AC 220V inlet
48V	Represents DC 48V inlet

E1 Bandwidth Selection

For E1 bandwidth selection. Effective only if the encapsulation mode is set to 'HDLC' (i.e. GFP / HDLC switch is set to 'ON'), the DIP Switch settings on the right side panel are as follows:



Working Mode	Switch Setting		
	TS0	TS1-15, 17-31	TS16
Unframed / PCM 31	ON	ON	ON
Framed (CCS) / PSM 31	OFF	Occupied timeslot ON	
Multi Framed (CAS) / PCM 30	OFF	Occupied timeslot ON	OFF

Note: Fractional E1 (FE1) bandwidth is effective only if the encapsulation mode is set to 'HDLC'. GFP/HDLC switch is set to 'ON'

- Example 1:** If you wish to use only first 5 time slots then you need to set the TS0 time slots to OFF and switch TS1 to TS5 to ON and time slot TS16 will be set to ON.
- Example 2:** If you wish to carry first 8 time slots on 512Kbps, then you need to set the TS0 time slot OFF and switch TS1 to TS8 to ON (i.e. since each time slot consumes 64Kbps, so 8 time slots will consume 8 x 64Kbps = 512Kbps) and time slot S16 will be set to ON.
- Example 3:** If you wish to carry 20 time slots on 1.28Mbps (64Kbps x 20) then you need to set time slot TS0 OFF and TS1 to TS21 time slots to ON. Please remember that the time slot TS16 will be used as signaling time slot.

Console (RJ-45) Pinout Details

PIN No.	Definition of function	Signal Direction
6	GND	Signal Ground
7	RX (received data)	RS232 Signal Input
8	TX (transmitted data)	RS232 Signal Output
Others	NC	

HyperTerminal settings should be as follows

1	Bits per second	19200
2	Data bits	8
3	Parity	None
4	Stop bits	1
5	Flow control	None

E1 120Ω (RJ-45) Pinout Details

PIN No.	Definition of function	Signal Direction
1	TX+ (transmitted data +)	E1 Data Output
2	TX- (transmitted data -)	E1 Data Output
4	RX+ (received data +)	E1 Data Input
5	RX- (received data -)	E1 Data Input
Others	NC	

Ethernet (RJ-45) Pinouts

PIN No.	Definition of function	Signal Direction
1	TX+ (transmitted data +)	Data Output
2	TX- (transmitted data -)	Data Output
3	RX+ (received data +)	Data Input
6	RX- (received data -)	Data Input
Others	NC	

CLI Commands List

After entering into the application program for CLI command, please key "?" in the command line to get the list of the commands.

VCL>?

Command	Description
?/Help	To get a list of the commands for the system.
showversion	View software and hardware version.
showe1alarm	View E1 alarm.
seteth	Configure the Ethernet port Speed,Mode,Auto Negotiation.
showeth	View Ethernet port status.
showframe	View framing status.
showclock	View E1 clock mode.
showencapmode	View encapsulation mode.
setgfp	Configure PFI, EXI, PSCRD and HSCRD of GFP.
showgfp	View PFI, EXI, PSCRD and HSCRD of GFP.

More help for a particular CLI command

For detailed command format, please key "? cmdname" or "help cmdname".

VCL>? [cmdname] {enter}
OR
VCL>help [cmdname] {enter}

Example:

VCL>? **showe1alarm**

<FORMAT>: **showe1alarm**
<EXPLANATION>: View E1 alarm.
<PARAMETER>: none

Detailed CLI Command

To view system software and hardware version

<FORMAT>: **showversion**
<EXPLANATION>:View software and hardware version.
<PARAMETER>:none

Example:

VCL>**showversion**

IC version:V1.000
Hardware version:V1.12
Software version:V1.00A1

To View E1 alarm

<FORMAT>:**showe1alarm**
<EXPLANATION>:View E1 alarm.
<PARAMETER>:none

Example:

VCL>**showe1alarm**

ALARM	LOS	LOF	AIS	CRC
Status	0	0	0	0

Description 1:Alarm, 0:No alarm

To Configure Ethernet Port

<FORMAT>:**seteth <AN> <speed> <duplex> <flow>**
<EXPLANATION>:Configure the Ethernet port Speed, Mode, Auto Negotiation.
<PARAMETER>:
AN:<0/1>,Autotiation(0:AN not done; 1:AN done)
speed:<0/1>,(0:10Mbit/s; 1:100Mbit/s)
duplex:<0/1>,(0:half-duplex; 1:full-duplex)
flow:<0/1>,flow-control capability(0:disable; 1:enable)

Example:

VCL>**seteth 1 1 1 1**

AN	Speed	Duplex	Flow
Auto	100M	Full	Enable

To View Ethernet Port Status

<FORMAT>:**showeth**
<EXPLANATION>:View Ethernet port status.
<PARAMETER>:none

Example:

VCL>**showeth**

AN	Speed	Duplex	Flow	Status
Not Auto	10M	Half	Disable	Connected

To View Framing Status

<FORMAT>:**showframe**
<EXPLANATION>:View framing status.
<PARAMETER>:none

Example:

VCL>**showframe**

Frame status:Frame.
PCM30/31 status:PCM31

To View Synchronization Clock

<FORAMT>:**showclock**
<EXPLANATION>:View E1 clock mode.
<PARAMETER>:none

Example:

VCL>**showclock**

E1 Clock:Master

To View Encapsulation Mode

<FORAMT>:**showencapmode**
<EXPLANATION>:View encapsulation mode.
<PARAMETER>:none

Example:

VCL>**showencapmode**

The encapsulation mode is:HDLC

To Configure GFP

<FORMAT >: **setgfp <PFI> <EXI> <PSCRD> <HSCRD>**
<EXPLANATION>: Configure PFI, EXI, PSCRD and HSCRD of GFP.
<PARAMETER>:
 PFI: 0-1
 EXI: 0-15
 PSCRD: 1:enable ; 0:disable
 HSCRD: 1:enable ; 0:disable

Example:

VCL>**setgfp 0 0 1 1**

PFI:0
EXI:0
PSCRD:Enable
HSCRD:Enable

To View GFP Configurations

<FORMAT >: **showgfp**

<EXPLANATION>: View the PFI, EXI, PSCRD and HSCRD of GFP.

<PARAMETER>: none

Example:

VCL>**showgfp**

PFI:0
EXI:0
PSCRD:Enable
HSCRD:Enable
GFP SYNC:Alarm

General

Power Supply

AC Mains Input	220V AC Optional
DC Mains Input	-48V
Power Consumption	<4 Watts

Service Conditions

Ambient temperature	0°C ~ 50°C
Relative humidity	90% (at 35°C)

Dimensions

238mm x 125mm x 44mm

Weight

980gm

Ordering Information

S.No.	Part No.	Product Description
1.	VCL-ETH-E1-AC	<p>VCL-Ethernet over 1 E1 (IP over TDM) (10/100M over 1 E1): Interface conversion bet. G.703 E1 / FE1 and each 10BaseT (Ethernet over E1 / TDM) Desktop Metal case 1U High Version (Half 19 inch) Supports :</p> <ul style="list-style-type: none"> - 1 x Ethernet [100Mbps, Electrical RJ45 (F)] - 1 x E1 / FE1 [120Ω RJ45 (F) / E1 75Ω BNC (F) (both options)] - 1 x 220V AC Power Supply Input - 1 x System Core Cables, Installation Accessories, Documentation, System User Manual etc (Set) <p>*Suitable for Point-to-Point application and also works with our Point-to-Multi Point unit on other side</p>
2.	VCL-ETH-E1-DC	<p>VCL-Ethernet over 1 E1 (IP over TDM) (10/100M over 1 E1): Interface conversion bet. G.703 E1 / FE1 and each 10BaseT (Ethernet over E1 / TDM) Desktop Metal case 1U High Version (Half 19 inch) Supports :</p> <ul style="list-style-type: none"> - 1 x Ethernet [100Mbps, Electrical RJ45 (F)] - 1 x E1 / FE1 [120Ω RJ45 (F) / E1 75Ω BNC (F) (both options)] - 1 x -48V DC Power Supply Input - 1 x System Core Cables, Installation Accessories, Documentation, System User Manual etc (Set) <p>*Suitable for Point-to-Point application and also works with our Point-to-Multi Point unit on other side</p>

Note: Operation and maintenance of network equipment require professional knowledge and experience. We recommend the equipment to be managed only by qualified technicians. Should you require technical assistance please consult the provider, or contact our SUPPORT DESK at helpdesk@oriontelecom.info

Technical Specifications are subject to change without notice.
 Windows is the registered Trademark of Microsoft Corporation, USA.
 Revision 05 - January 12, 2014.

Headquarters: Phoenix, Arizona

Orion Telecom Networks Inc.

20100, N 51st Ave, Suite B240,
 Glendale AZ 85308
 Phone: +1 480-816-8672
 Fax: +1 480-816-0115
E-mail: sales@oriontelecom.com
Website: http://www.oriontelecom.com

Regional Office: Miami, Florida

Orion Telecom Networks Inc.

4000 Ponce de Leon Blvd. Suite 470,
 Coral Gables, FL 33146 U.S.A.
 Phone: 1-305-777-0419,
Fax: 1-305-777-0201
E-mail: sales@oriontelecom.com
Website: http://www.oriontelecom.com