



ORION TELECOM NETWORKS INC.

16 x T1 Splitter (100 Ohms)

Data Sheet & Product Brochure

Headquarters: Phoenix, Arizona

Orion Telecom Networks Inc.

16810, Avenue of the Fountains,
Suite # 108, Fountain Hills, AZ 85268 U.S.A.
Phone: +1 480-816-8672,
Fax: +1 480-816-0115
E-mail: sales@oriontelecom.com
Website: <http://www.oriontelecom.com>

Regional Office: Miami, Florida

Orion Telecom Networks Inc.

4000 Ponce de Leon Blvd. Suite 470,
Coral Gables, FL 33146 U.S.A.
Phone: 1-305-777-0419,
Fax: 1-305-777-0201
E-mail: sales@oriontelecom.com
Website: <http://www.oriontelecom.com>

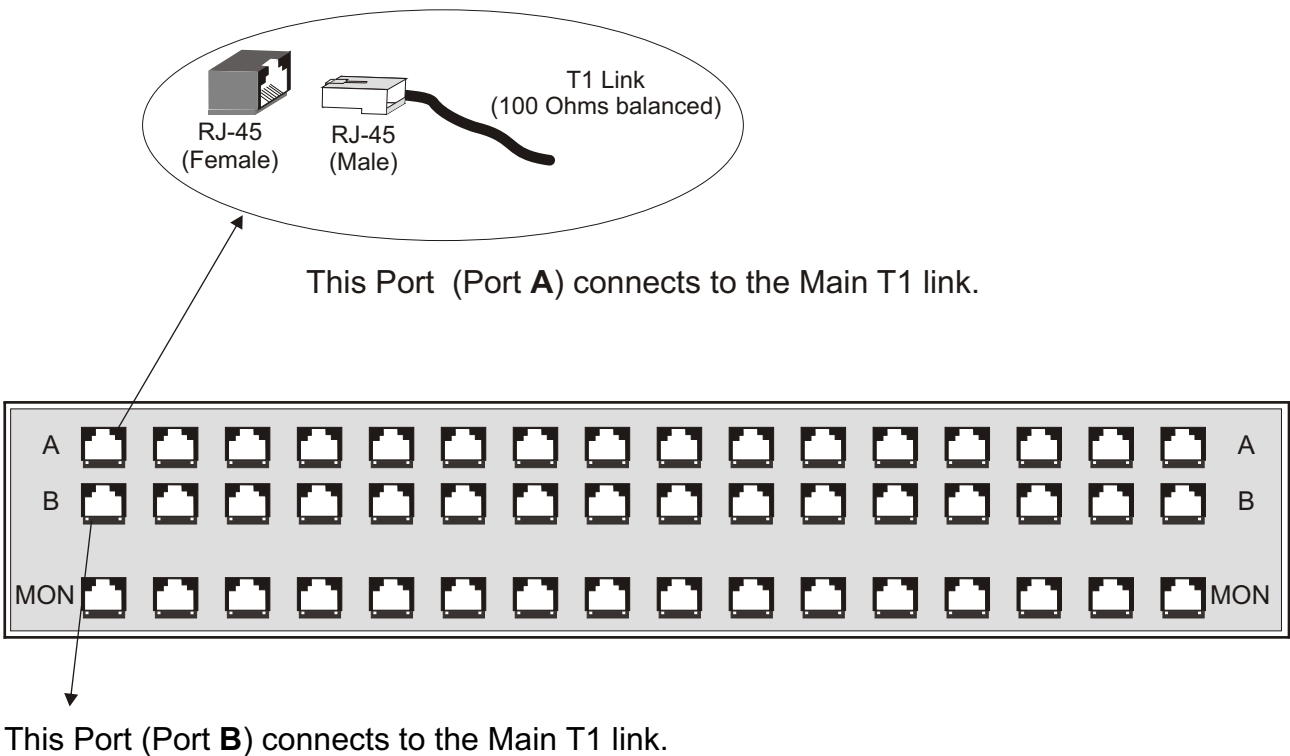
16 x T1 Splitter (100 Ohms) - What does it do?

The 16 x T1 Splitter (100 Ohms) “Splits” the T1 signal that it receives between two T1 ports, by monitoring the same T1 signal on two ports, simultaneously.

Application - Where is it used?

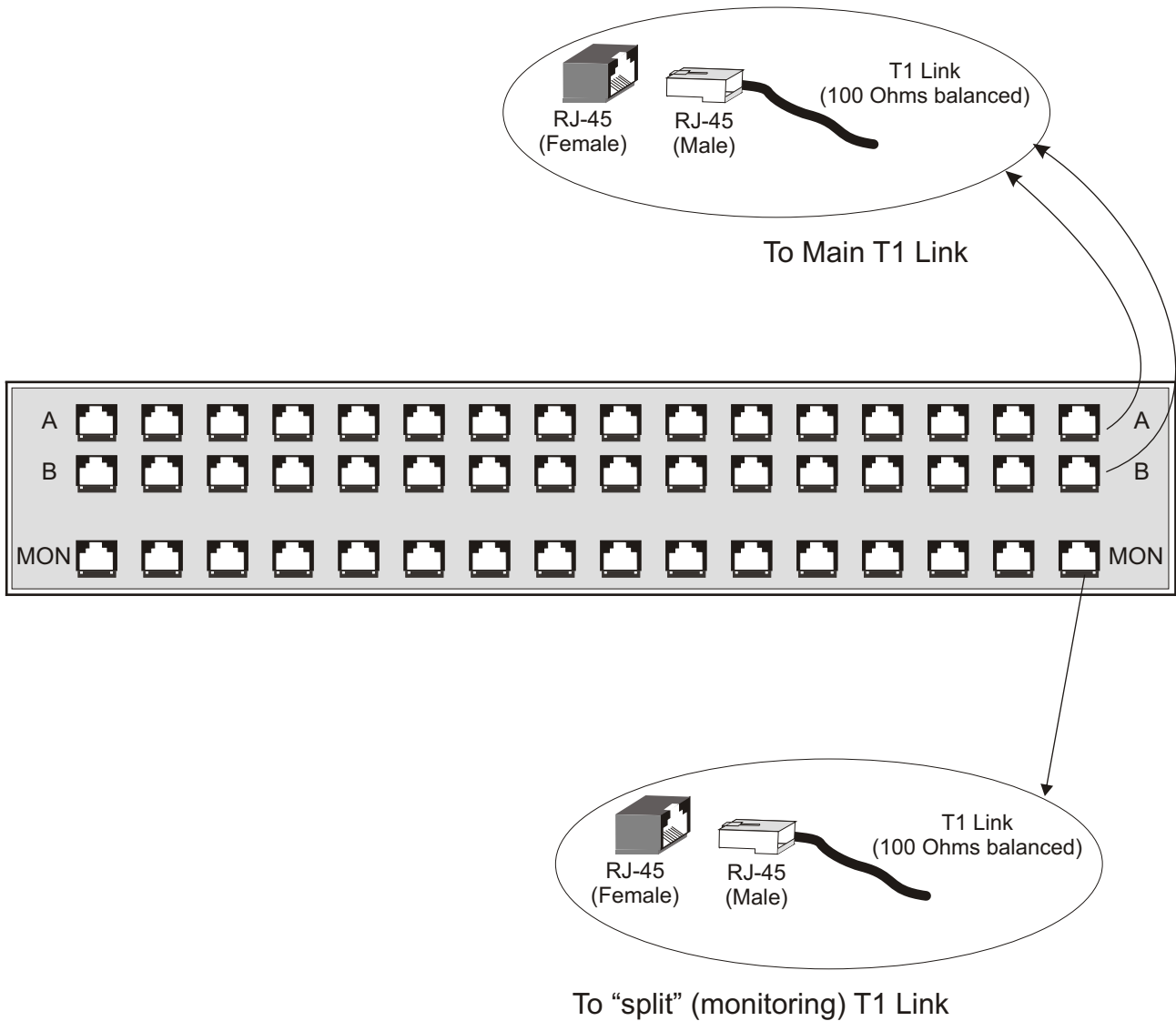
The 16 x T1 Splitter (100 Ohms) may be used in application that require the T1 signal input to be simultaneously connected to active terminal equipment, while at the same time connecting it to “shadow” equipment such as call loggers, voice call recorders, data recorders or any other such equipment that does not load the active T1 link in any way and connects to the live T1 links non-intrusively.

Connecting/patching T1 Main Link on T1 (100 Ohms) Splitter



The RJ-45 connectors (Row A and Row B) are used for patching the (Data IN / Data OUT) Main T1 Link.

Connecting the “Split” T1 Link on the T1 (100 Ohms) Splitter

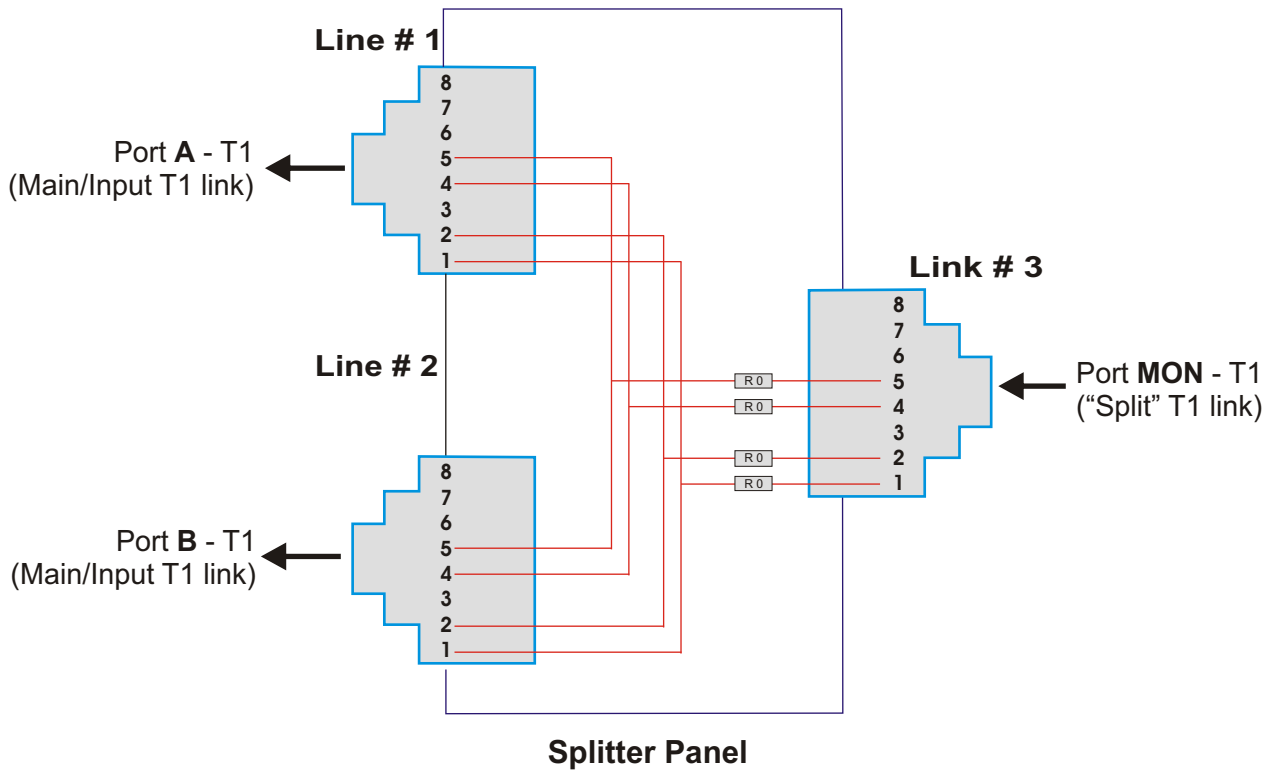


RJ-45 Pinout Details

Connector	Pin #	Signal in RJ-45 (Female)
RJ-45 (Female)	1	Rx Tip (Data In) of E1-A
	2	Rx Ring (Data In) of E1-A
	4	Rx Tip (Data In) of E1-B
	5	Rx Ring (Data In) of E1-B

The MON Port (RJ-45 Connectors in the Row marked **MON**) provide the “Split” mirror image of the Main T1 link patched between the RJ-45 connectors on Row A and Row B.

16 x T1 Splitter (100 Ohms) Panel - Circuit Schematic



R = 0 Ohms

Mechanical Specifications

Rack Mounting	Standard 19 Inch. DIN Rack
Height	90 mm.
Depth	45 mm.
Width	485 mm. (with mounting brackets)
Weight	1.4 kg.

Ordering Information

16 x T1, 100 Ohms Splitter			
S.No.	Part #	Product Description	Qty
1	VCL-1240-SPLIT-100	16 x T1, 100 Ohms Splitter	1

