



ORION TELECOM NETWORKS INC.

16 x E1 Splitter (120 Ohms)

Data Sheet & Product Brochure

Headquarters: Phoenix, Arizona

Orion Telecom Networks Inc.

16810, Avenue of the Fountains,
Suite # 108, Fountain Hills, AZ 85268 U.S.A.
Phone: +1 480-816-8672,
Fax: +1 480-816-0115
E-mail: sales@oriontelecom.com
Website: <http://www.oriontelecom.com>

Regional Office: Miami, Florida

Orion Telecom Networks Inc.

4000 Ponce de Leon Blvd. Suite 470,
Coral Gables, FL 33146 U.S.A.
Phone: 1-305-777-0419,
Fax: 1-305-777-0201
E-mail: sales@oriontelecom.com
Website: <http://www.oriontelecom.com>

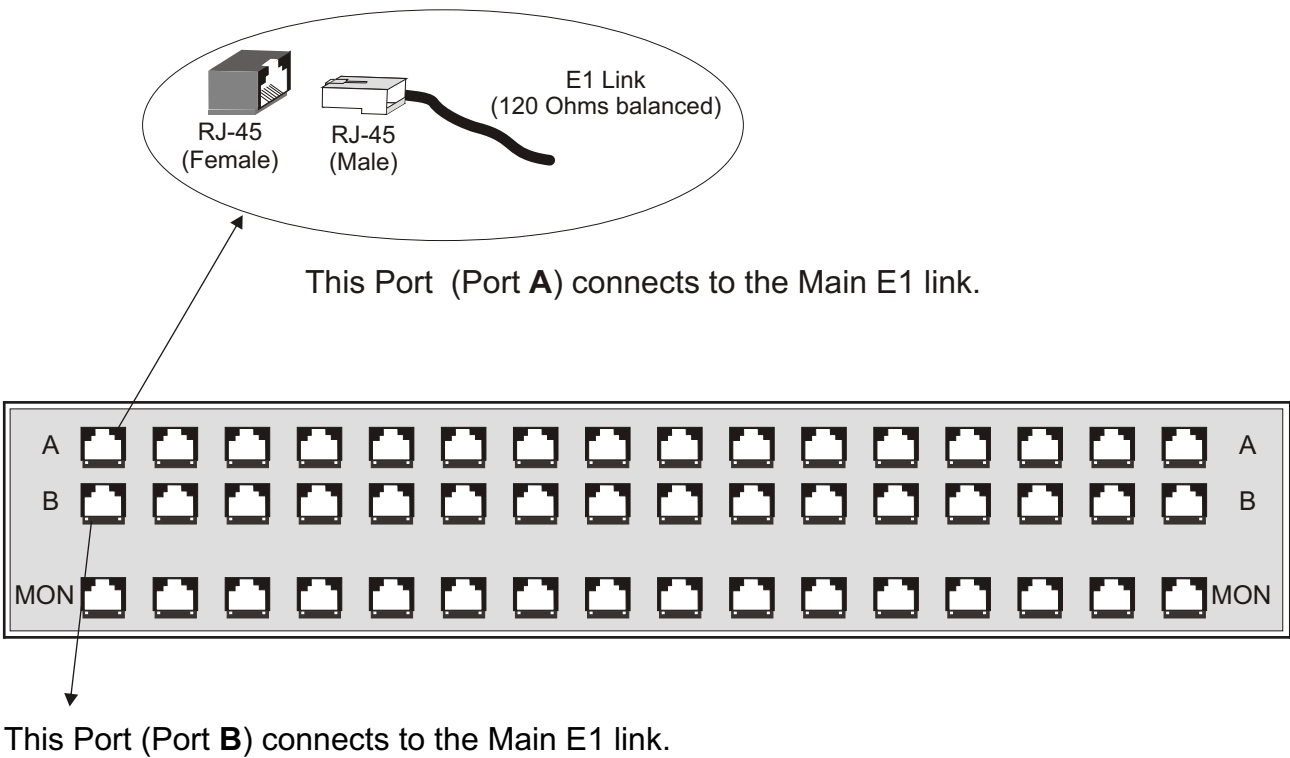
16 x E1 Splitter (120 Ohms) - What does it do?

The 16 x E1 Splitter (120 Ohms) “Splits” the E1 signal that it receives between two E1 ports, by monitoring the same E1 signal on two ports, simultaneously.

Application - Where is it used?

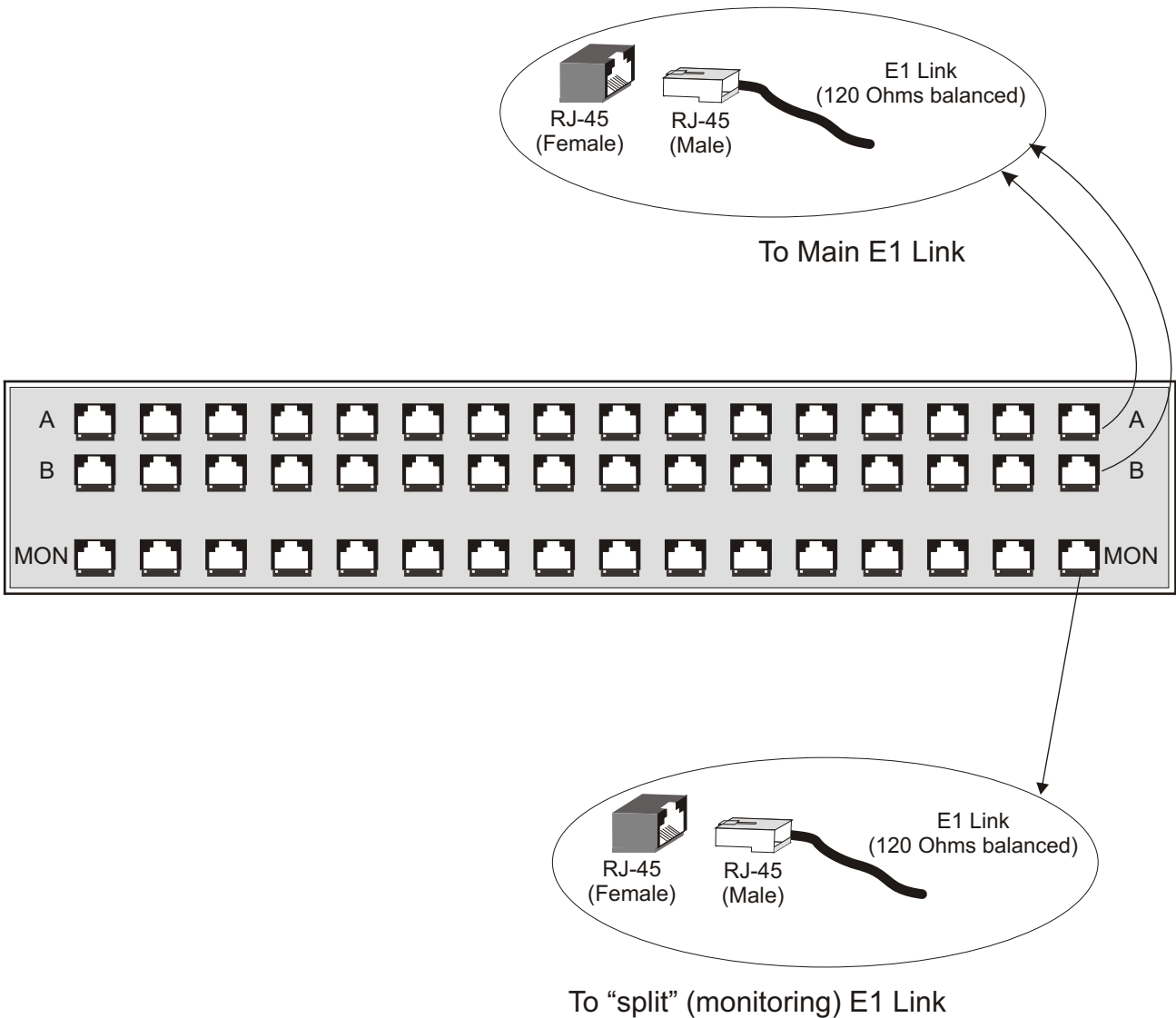
The 16 x E1 Splitter (120 Ohms) may be used in application that require the E1 signal input to be simultaneously connected to active terminal equipment, while at the same time connecting it to “shadow” equipment such as call loggers, voice call recorders, data recorders or any other such equipment that does not load the active E1 link in any way and connects to the live E1 links non-intrusively.

Connecting/patching E1 Main Link on E1 (120 Ohms) Splitter



The RJ-45 connectors (Row A and Row B) are used for patching the (Data IN / Data OUT) Main E1 Link.

Connecting the “Split” E1 Link on the E1 (120 Ohms) Splitter

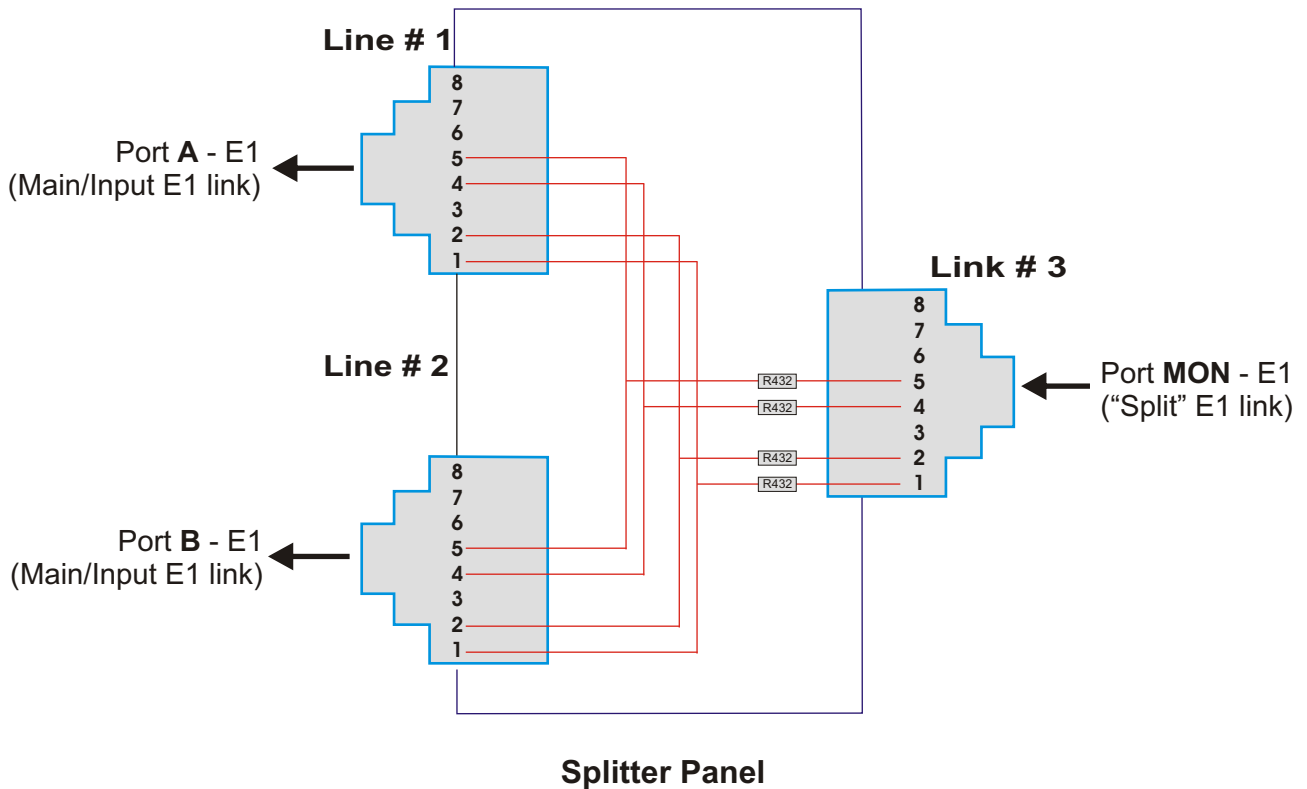


RJ-45 Pinout Details

Connector	Pin #	Signal in RJ-45 (Female)
RJ-45 (Female)	1	Rx Tip (Data In) of E1-A
	2	Rx Ring (Data In) of E1-A
	4	Rx Tip (Data In) of E1-B
	5	Rx Ring (Data In) of E1-B

The MON Port (RJ-45 Connectors in the Row marked **MON**) provide the “Split” mirror image of the Main E1 link patched between the RJ-45 connectors on Row A and Row B.

16 x E1 Splitter (120 Ohms) Panel - Circuit Schematic



The Hi-Z output (432 Ohms) resistive output is provided on the Monitoring (MON) Port of the Patch Panel for connecting to the Groomer / Probe / Analyser.

Mechanical Specifications

Rack Mounting	Standard 19 Inch. DIN Rack
Height	90 mm.
Depth	45 mm.
Width	485 mm. (with mounting brackets)
Weight	1.4 kg.

Ordering Information

16 x E1, 120 Ohms Splitter			
S.No.	Part #	Product Description	Qty
1	VCL-1240-SPLIT-120	16 x E1, 120 Ohms Splitter	1

