



ORION TELECOM NETWORKS INC.

16 x E1 75 Ohms (Siemens - DIN 1.6/5.6 Female Connector) Patch Panel with Additional Hi-Z Monitoring Port

Data Sheet & Product Brochure

Headquarters: Phoenix, Arizona

Orion Telecom Networks Inc.

16810, Avenue of the Fountains,
Suite # 108, Fountain Hills, AZ 85268 U.S.A.
Phone: +1 480-816-8672,
Fax: +1 480-816-0115
E-mail: sales@oriontelecom.com
Website: <http://www.oriontelecom.com>

Regional Office: Miami, Florida

Orion Telecom Networks Inc.

4000 Ponce de Leon Blvd. Suite 470,
Coral Gables, FL 33146 U.S.A.
Phone: 1-305-777-0419,
Fax: 1-305-777-0201
E-mail: sales@oriontelecom.com
Website: <http://www.oriontelecom.com>

16 x E1 75 Ohms (Siemens - DIN 1.6/5.6 Female Connector) Patch Panel with Additional Hi-Z Monitoring Ports

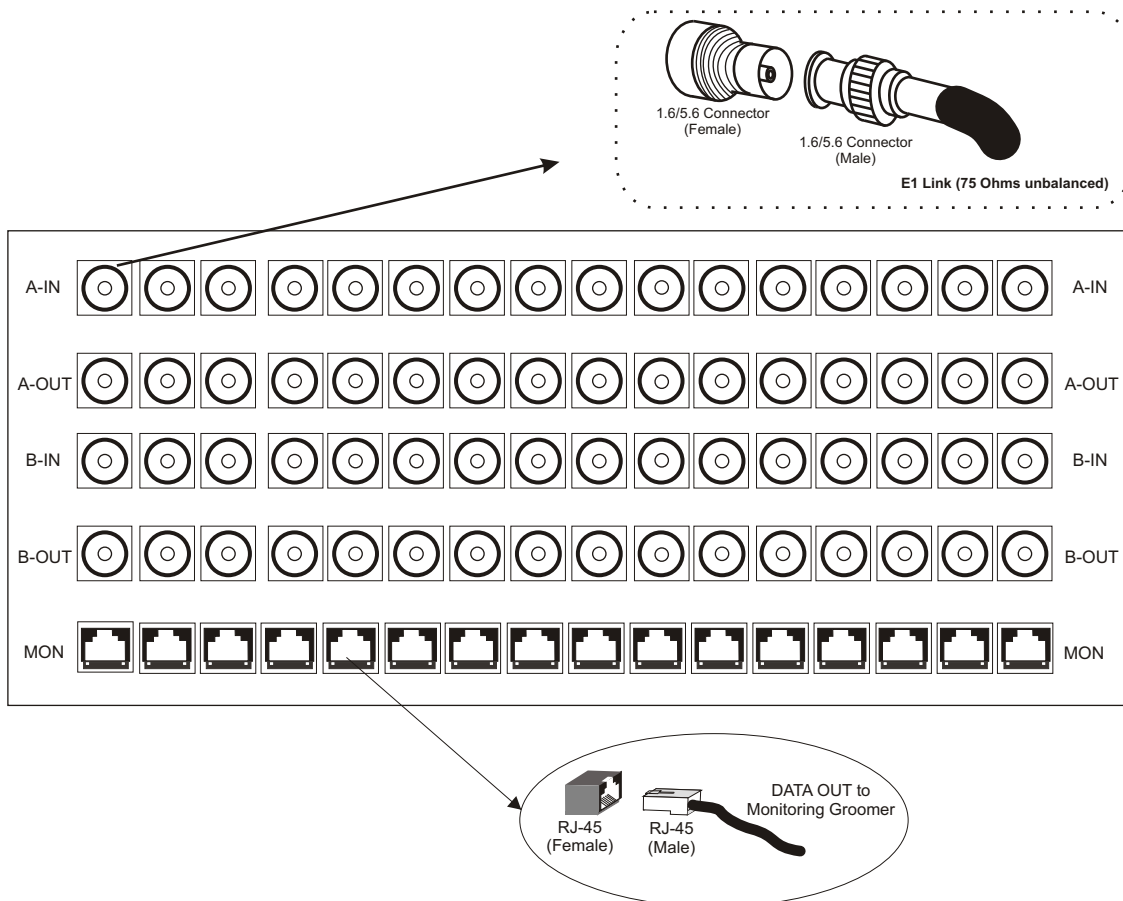
What does it do ?

The 16 x E1 75 Ohms (Siemens - DIN 1.6/5.6 Female Connector) Patch Panel Hi-Z Monitoring Port is primarily designed for applications where 75 Ohms E1 circuits are required to be “patched” as well as simultaneously “tapped” for non-intrusive monitoring applications.

Application Where is it used ?

The 16 x E1 75 Ohms (Siemens - DIN 1.6/5.6 Female Connector) Patch Panel Hi-Z Monitoring Port primarily designed to patch up to 16, E1 circuits. It also, simultaneously, provides up to 16 high-impedance (Hi-Z) outputs on it's monitoring (MON) port(s) from which, both the transmit (Tx) and the receive (Rx) signals of the patched 75 Ohms E1 links can be “tapped non-intrusively” [i.e without disturbing or loading the active E1 link(s) in any manner], for parallel connections to E1 Groomers, Probes or Analysers.

Used for E1 Patching and Monitoring Application.



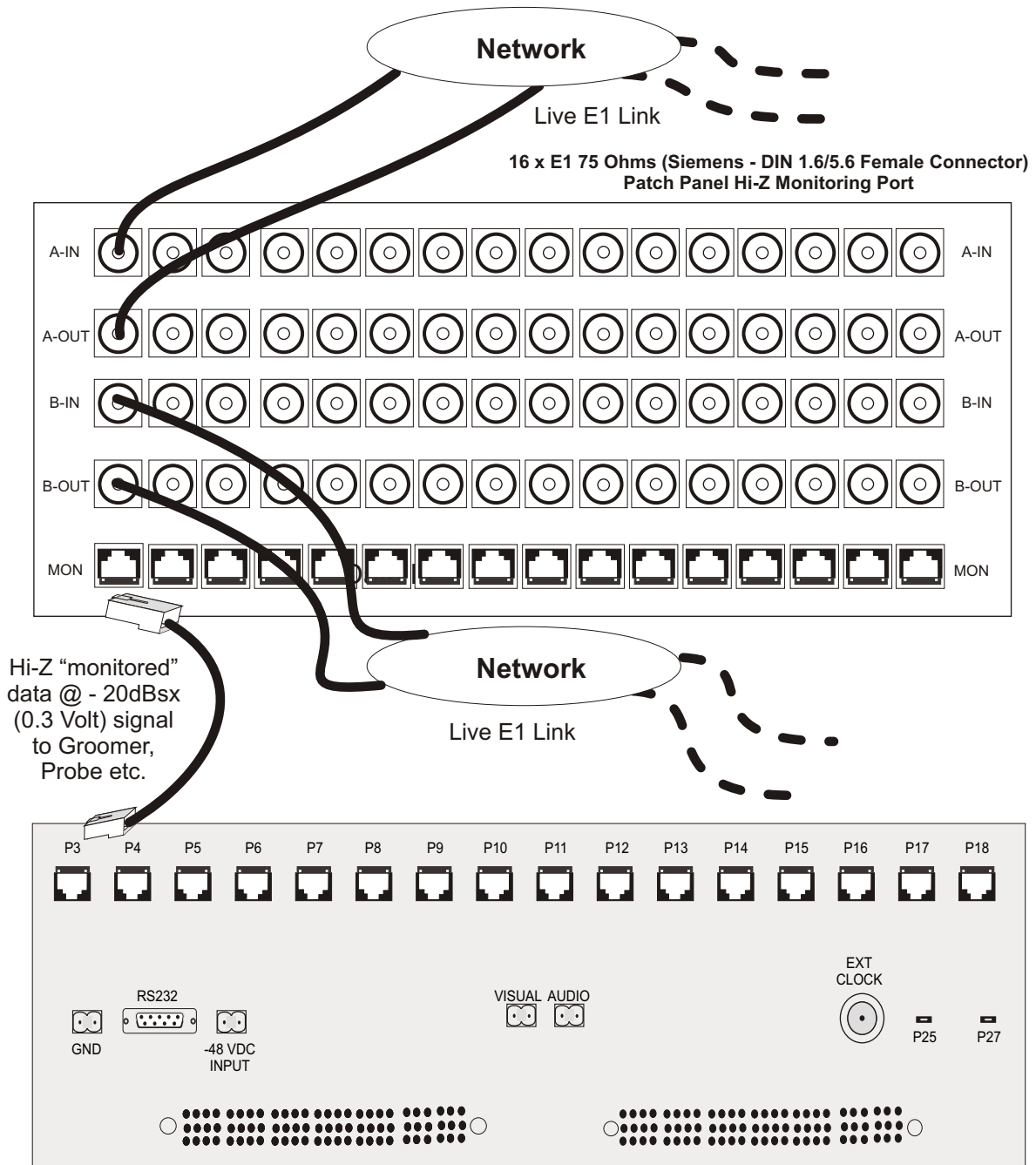
RJ-45 (Female) Pinout Details

RJ-45 (Female) Pin #	1.6/5.6 Connector (Female)
1	A-OUT/B-IN
2	A-OUT/B-IN
4	A-IN/B-OUT
5	A-IN/B-OUT



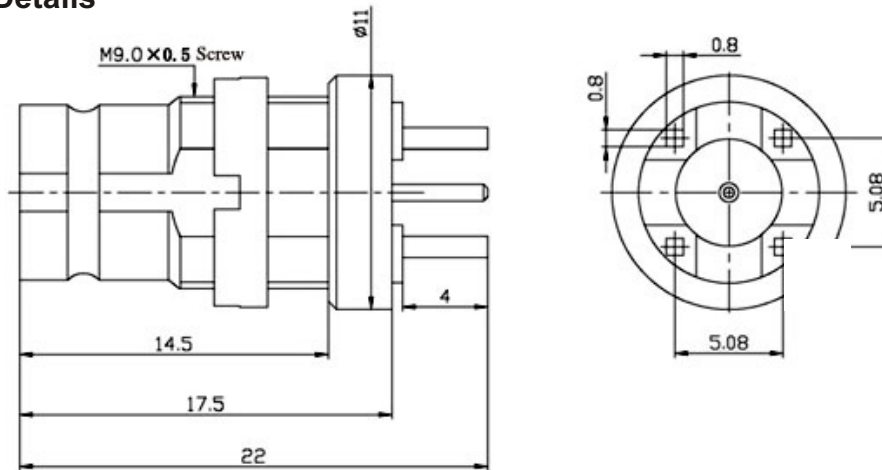
The Siemens - DIN 1.6/5.6 Female Connectors are used to patch 75 ohms live E1 links which are required to be monitored. The hi-impedance (Hi-Z) monitored outputs are extracted on 120 ohms RJ-45 ports.

Connecting the “Monitoring” (high impedance) E1 Port on the 16 x E1 75 Ohms (Siemens - DIN 1.6/5.6 Female Connector) Patch Panel with Hi-Z Monitoring Port to the E1 Groomer, Probe or Analyser



VCL-MegaConnect Groomer Equipment

Connector Details



Mechanical Drawing - Siemens - DIN 1.6/5.6 Female Connector

Connector:

Connector Type	Siemens - DIN 1.6/5.6 Female
Mating	M9x0.5 threaded coupling
Contact Retention	6 lbs. Min.
Durability (Mating)	500 cycles min. (for Beryllium copper Female contact only)

Electrical Characteristics:

Characteristic impedance	75 Ohms
Working Voltage	335 VRMS max at sea level
Frequency range	0-1 GHz
Contact resistance initial value	Center contact: 4 Milliohms Max. Outer contact: 2 Milliohms Max.
Dielectric withstanding voltage	1000 VRMS max at sea level
Insulator resistance	1000 Megohms min.

Material and Plating:

Body	Brass / Nickel, gold plated
Center contacts	Phosphor bronze, gold plated
Insulators	PTFE

Mechanical Specification

Rack Mounting	Standard 19 Inch. DIN Rack
Height	132 mm. (3U)
Depth / Width	45 mm.
Length	485 mm. (with mounting brackets)
Weight	2.6 kg.

Ordering Information

16 x E1 75 Ohms (Siemens - DIN 1.6/5.6 Female Connector) Patch Panel with Additional Hi-Z Monitoring Ports			
S.No.	Part #	Product Description	Qty
1.	VCL-1476-75-Hi-Z-PP-1.6/5.6-F	16 x E1 75 Ohms (Siemens - DIN 1.6/5.6 Female Connector) Patch Panel with Additional Hi-Z Monitoring Ports	1

Technical specifications are subject to changes without notice.
Revision 3 - March 22, 2010

Headquarters: Phoenix, Arizona

Orion Telecom Networks Inc.

16810, Avenue of the Fountains,
Suite # 108, Fountain Hills, AZ 85268 U.S.A.
Phone: +1 480-816-8672,
Fax: +1 480-816-0115
E-mail: sales@oriontelecom.com
Website: <http://www.oriontelecom.com>

Regional Office: Miami, Florida

Orion Telecom Networks Inc.

4000 Ponce de Leon Blvd. Suite 470,
Coral Gables, FL 33146 U.S.A.
Phone: 1-305-777-0419,
Fax: 1-305-777-0201
E-mail: sales@oriontelecom.com
Website: <http://www.oriontelecom.com>