



ORION TELECOM NETWORKS INC.

16 x 75 Ohms (BNC Female Connector) Patch Panel with Additional Hi-Z Monitoring Port

Data Sheet & Product Brochure

Headquarters: Phoenix, Arizona

Orion Telecom Networks Inc.

16810, Avenue of the Fountains,
Suite # 108, Fountain Hills, AZ 85268 U.S.A.
Phone: +1 480-816-8672,
Fax: +1 480-816-0115
E-mail: sales@oriontelecom.com
Website: <http://www.oriontelecom.com>

Regional Office: Miami, Florida

Orion Telecom Networks Inc.

4000 Ponce de Leon Blvd. Suite 470,
Coral Gables, FL 33146 U.S.A.
Phone: 1-305-777-0419,
Fax: 1-305-777-0201
E-mail: sales@oriontelecom.com
Website: <http://www.oriontelecom.com>

**16 x 75 Ohms (BNC Female Connector)
Patch Panel with Additional Hi-Z Monitoring Ports**

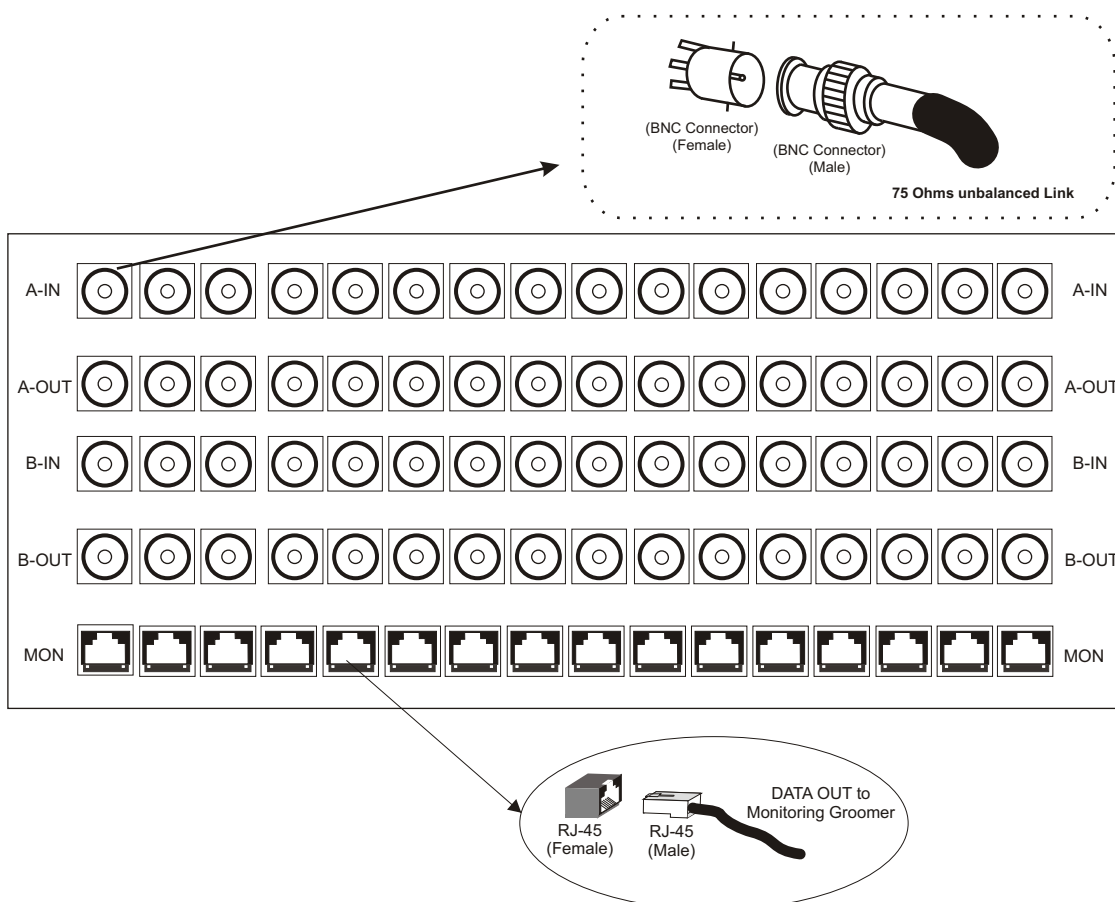
What does it do ?

The 16 x 75 Ohms (BNC Female Connector) Patch Panel Hi-Z Monitoring Port is primarily designed for applications where 75 Ohms circuits are required to be “patched” as well as simultaneously “tapped” for non-intrusive monitoring applications.

Application Where is it used ?

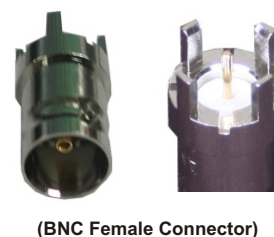
The 16 x 75 Ohms (BNC Female Connector) Patch Panel Hi-Z Monitoring Port primarily designed to patch up to 16 circuits. It also, simultaneously, provides up to 16 high-impedance (Hi-Z) outputs on it's monitoring (MON) port(s) from which, both the transmit (Tx) and the receive (Rx) signals of the patched 75 Ohms links can be “tapped non-intrusively” [i.e without disturbing or loading the active link(s) in any manner], for parallel connections to Groomers, Probes or Analysers.

Used for Patching and Monitoring Application



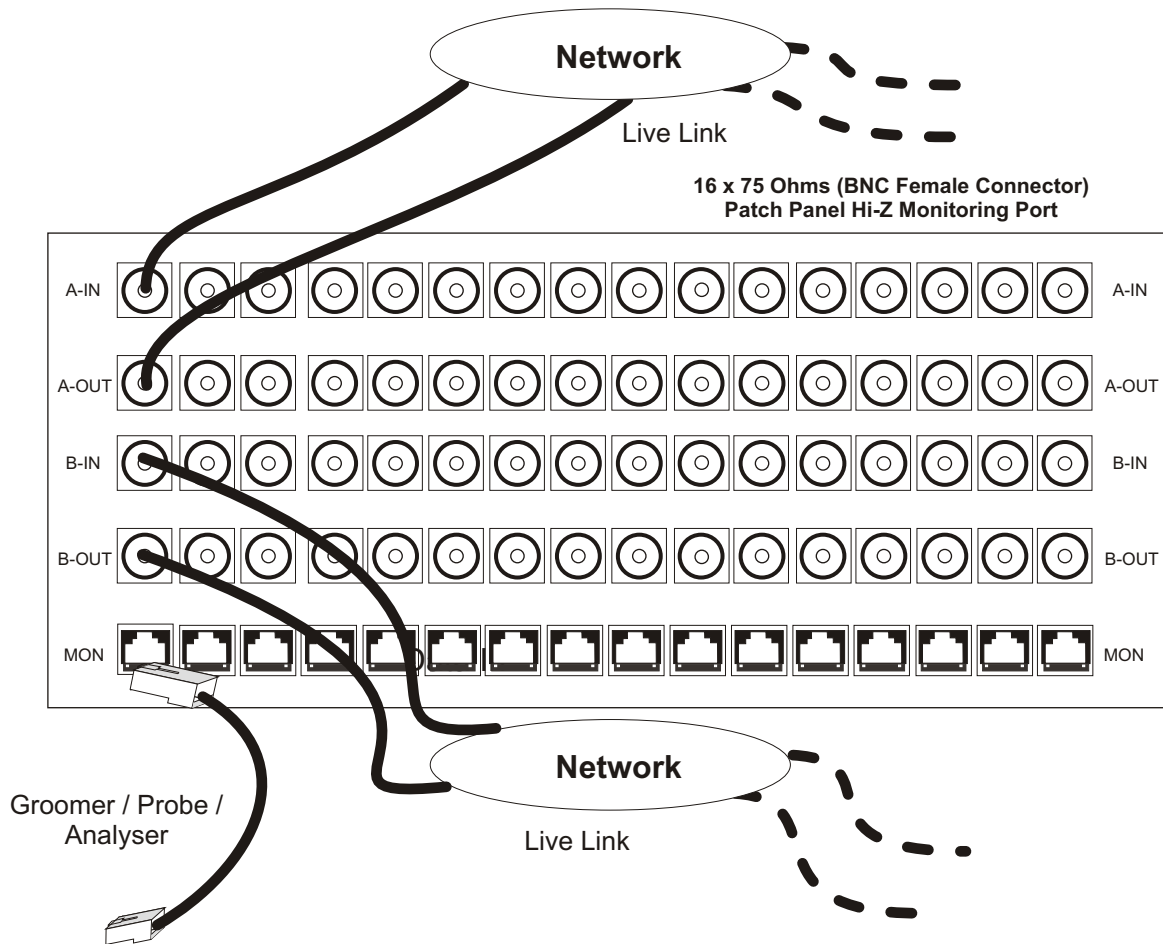
RJ-45 (Female) Pinout Details

| RJ-45 (Female) Pin # | BNC Female Connector |
|----------------------|----------------------|
| 1 | A-OUT/B-IN |
| 2 | A-OUT/B-IN |
| 4 | A-IN/B-OUT |
| 5 | A-IN/B-OUT |

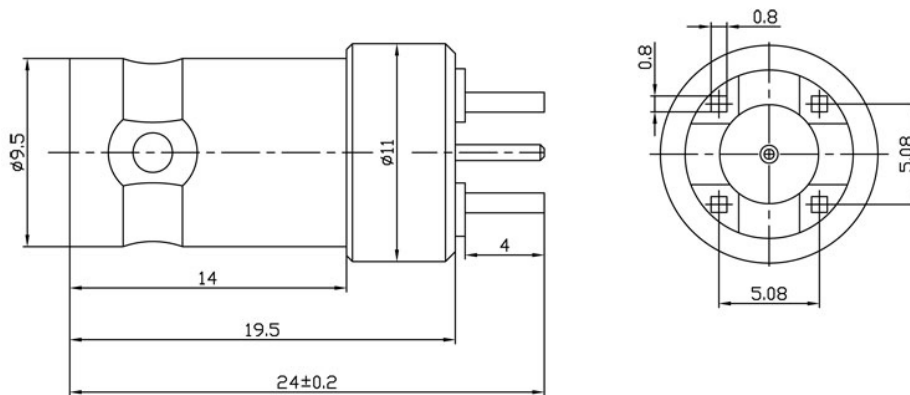


The BNC Female Connectors are used to patch 75 ohms live links which are required to be monitored. The hi-impedance (Hi-Z) monitored outputs are extracted on 120 ohms RJ-45 ports.

**Connecting the “Monitoring” (high impedance) Port on the
16 x 75 Ohms (BNC Female Connector)
Patch Panel with Hi-Z Monitoring Port
to the Groomer, Probe or Analyser**



Connector Details



Mechanical Drawing - BNC Female Connector

Material and Plating:

| | |
|-----------------|------------------------------|
| Body | Brass, gold plated |
| Center contacts | Phosphor bronze, gold plated |
| Insulators | POM |

Electrical Characteristics:

| | |
|----------------------------------|---|
| Characteristic impedance | 75 Ohms |
| Working Voltage | 500 VRMS |
| Frequency range | 0 to 1 GHz |
| Contact resistance initial value | Center contact: 3 Milliohms Max. Outer contact: 2 Milliohms Max. |
| Dielectric withstanding voltage | 1500 Volts |
| Insulator resistance | 5000 megohms min. |

Mechanical Specification

| | |
|---------------|----------------------------------|
| Rack Mounting | Standard 19 Inch. DIN Rack |
| Height | 132 mm. (3U) |
| Depth / Width | 45 mm. |
| Length | 485 mm. (with mounting brackets) |
| Weight | 2.6 kg. |

Ordering Information

| 16 x 75 Ohms (BNC (F) Connector) Patch Panel with Additional Hi-Z Monitoring Ports | | | |
|---|---------------------------|--|-----|
| S.No. | Part # | Product Description | Qty |
| 1. | VCL-1476-75-Hi-Z-PP-BNC-F | 16 x 75 Ohms (BNC (F) connector) Patch Panel with Additional Hi-Z Monitoring Ports | 1 |

Technical specifications are subject to changes without notice.
 Revision 4 - January 03, 2011

Headquarters: Phoenix, Arizona

Orion Telecom Networks Inc.

16810, Avenue of the Fountains,
 Suite # 108, Fountain Hills, AZ 85268 U.S.A.
 Phone: +1 480-816-8672,
Fax: +1 480-816-0115
E-mail: sales@oriontelecom.com
Website: http://www.oriontelecom.com

Regional Office: Miami, Florida

Orion Telecom Networks Inc.

4000 Ponce de Leon Blvd. Suite 470,
 Coral Gables, FL 33146 U.S.A.
 Phone: 1-305-777-0419,
Fax: 1-305-777-0201
E-mail: sales@oriontelecom.com
Website: http://www.oriontelecom.com