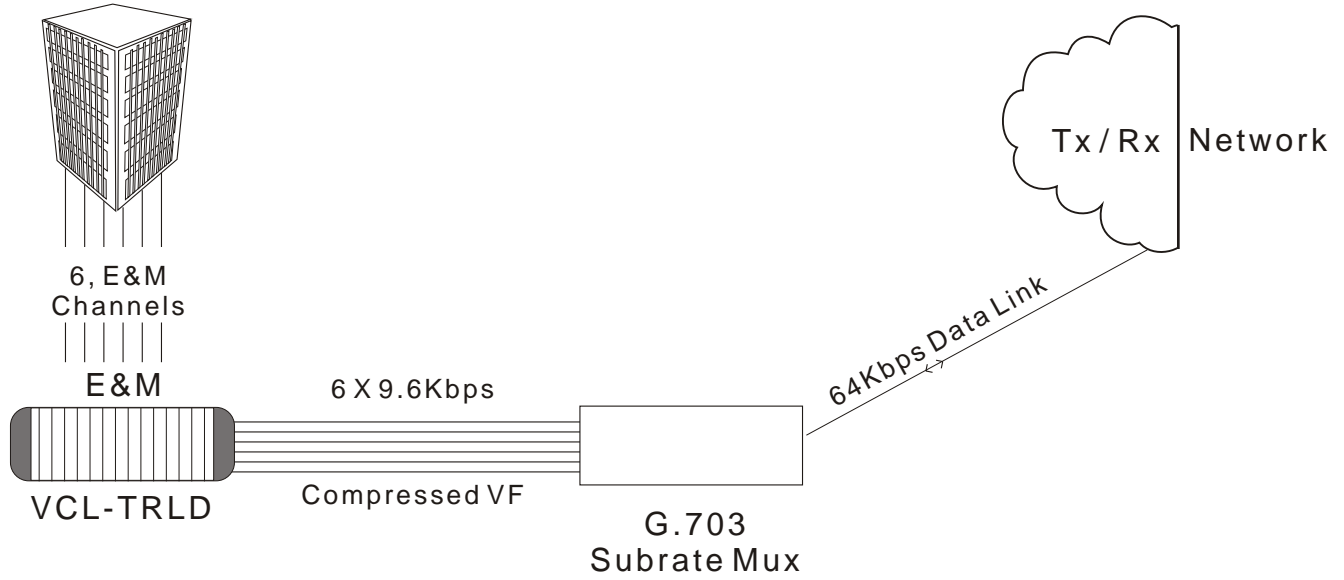


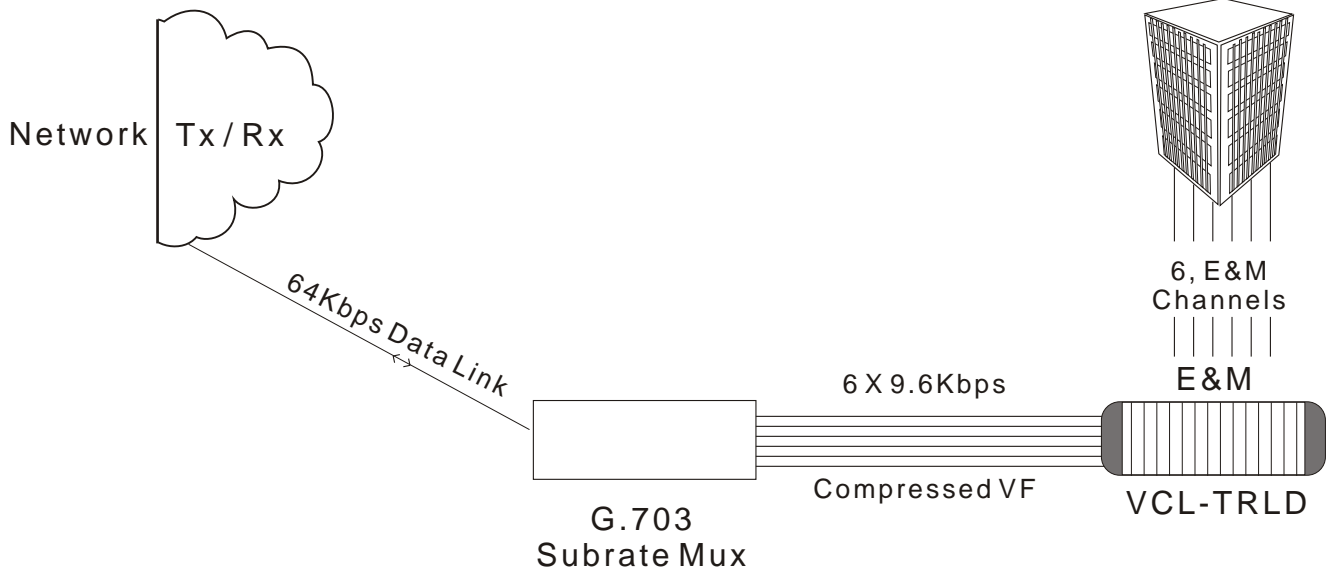
# For Application of 2 Wire / 4 Wire E&M Trunks (E&M - E&M)

## Exchange / Switch



## SITE - A

## Exchange / Switch



## SITE - B

Figure#3